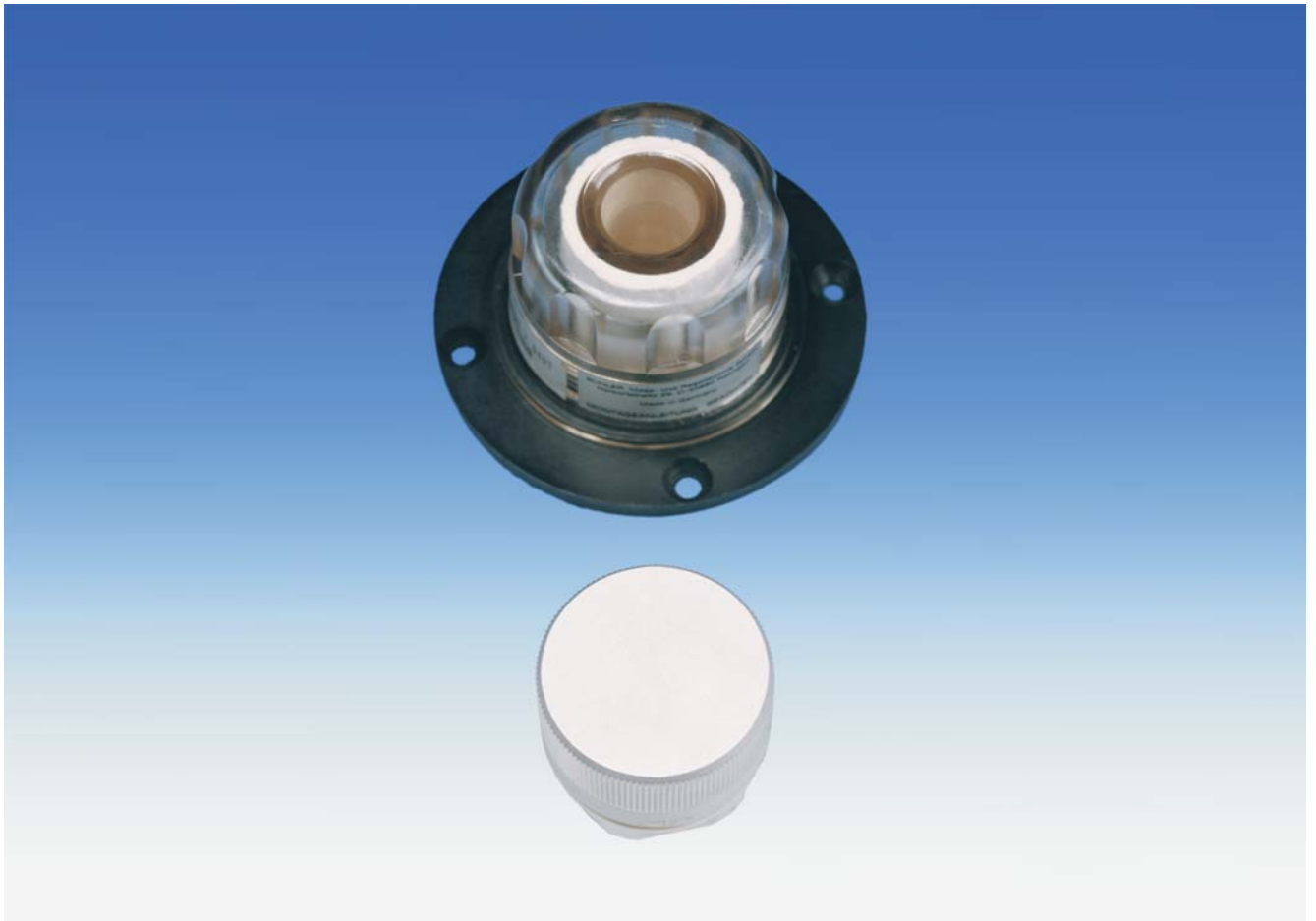


## Panel - Filter AGF-FE



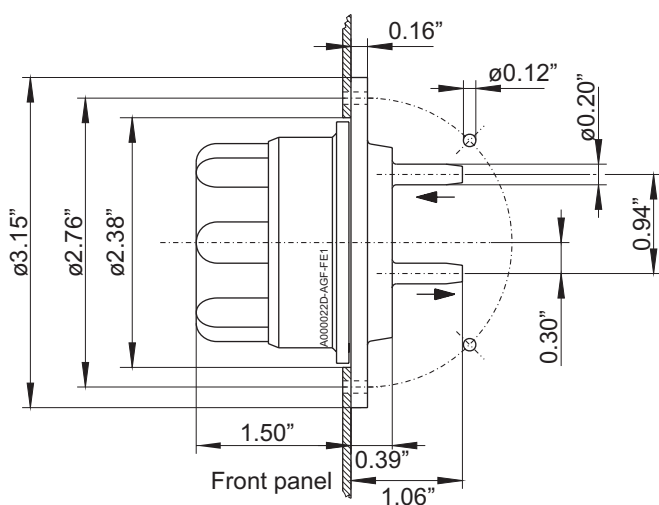
Buhler's AGF-FE filters are designed for panel mounting. The main body is attached to the front panel. The filter bowl threads onto the main body and seals with an O-Ring.

Changing filter media is done by simply removing the bowl. The dust loading on the filter is visible through the transparent bowl. The sample gas inlet and outlet are at the back side of the unit.

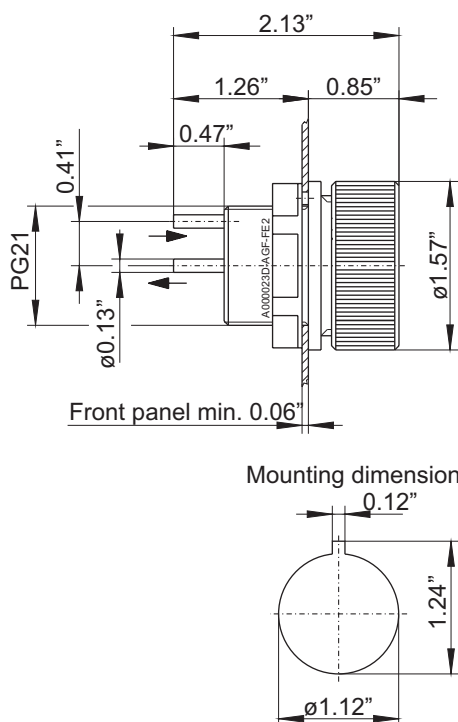
- **Simple panel-mount installation**
- **Easy to install**
- **Large filter area**
- **Easy filter replacement**
- **Visual indication of filter condition**

## Dimensions

### AGF-FE-1 / AGF-FE-1-T



### AGF-FE-2



## Technical Data

Panel-filter	AGF-FE-1	AGF-FE-1-T	AGF-FE-2
Filter surface	6.2 in <sup>2</sup>	6.2 in <sup>2</sup>	2.0 in <sup>2</sup>
Pore size	2 $\mu$ m	2 $\mu$ m	8 $\mu$ m
Dead volume	25 ml (1.5 cu. in.)	25 ml (1.5 cu. in.)	6 ml (0.37 cu. in.)
Material - filter	PA; PC	PA; PC	PVDF / 1.4571
Material - seal	Viton	Viton	Viton
Material - filter element	glass fibre / epoxy resin	PTFE	glass fibre / epoxy resin
Hose connection	DN 4/6	DN 4/6	DN 2/4
Pressure max.	29 psig	29 psig	29 psig
Media temperature	max. 175 °F	max. 175 °F	max. 175 °F

## Please indicate with order

### Filter \*

Part no.	Type
41 15 999	AGF-FE-1
41 15 899	AGF-FE-1-T
41 15 099	AGF-FE-2

\*Delivery includes one filterelement

### Spare filter elements

Part no.	Type	for	Package
41 15 00 10	FE-E1	AGF-FE-1	5 pcs.
41 15 00 90	FE-E1-T	AGF-FE-1-T	5 pcs.
41 15 09 910	FE-E2	AGF-FE-2	5 pcs.