

Nivotemp 62-2-C6F-T-03V001-ej

easyjust

- Daimler specification -



The Nivotemp 62-2-C6F-T-03V001-ej featuring the Bühler “easyjust” technology is a compact economic combination of level switch and precise temperature indication with LED display.

The unit provides two temperature alarm/switch outputs in addition to two level switching points.

The “easyjust” system simplifies the adjustment of the level contacts. The system consists of level contact cartridges that clip onto a gold plated contact board which incorporates the PT100 temperature sensor.

Both, the level contacts and the temperature controls clip directly onto the contact board thus eliminating wiring.

The unit has a DIN 24557 flange for easy installation.

The Nivotemp 62-2-C6F-T-03V001-ej in this configuration complies with the Daimler requirements. It provides two M12 connector sockets, a temperature display, and preset level contacts.

Please note that our programme contains more Daimler specific versions of the Nivotemp and Nivovent series.

- **Combined level and temperature control**
- **Adjustable alarm outputs for temperature**
- **“clip on” adjustable level contacts**
- **High float sensitivity**
- **Easy installation**
- **Maintenance free**
- **High visibility LED display**

Technical Data

Operating pressure max.	1 bar
Operating temperature max.	80 °C
Spec. gravity of fluid min.	0.8 kg/dm ³

Material

Float SK 610	hard PU
Switch tube	brass
Flange	PA

Level contact

K101 and K102

Function	NO / NC*
Min. distance between contacts	40 mm
Max. voltage	24 V
Max. current	0.5 A
Max. contact load	10 VA

* NC = normally closed / NO = normally open (all figures at empty reservoir)

Thermotronik 61

Range of temperature display	from -20 to +120 °C / 4° to 248 °F
Range of alarm indication	0 to +99 °C or 32° to 178 °F
Programmable set points	2 x
Connector socket	2 x M12
Housing	ABS-plastic
Depth of housing	55 mm
Protection class	IP 65
Display	three digit seven segment-LED-display light emitting diodes for status display

Current consumption at power up about 140 mA for 100 ms

Operating current consumption about 30 -70 mA

Supply voltage 24 VDC ±10 %

Output switches 2 x with max. 24V / 1A

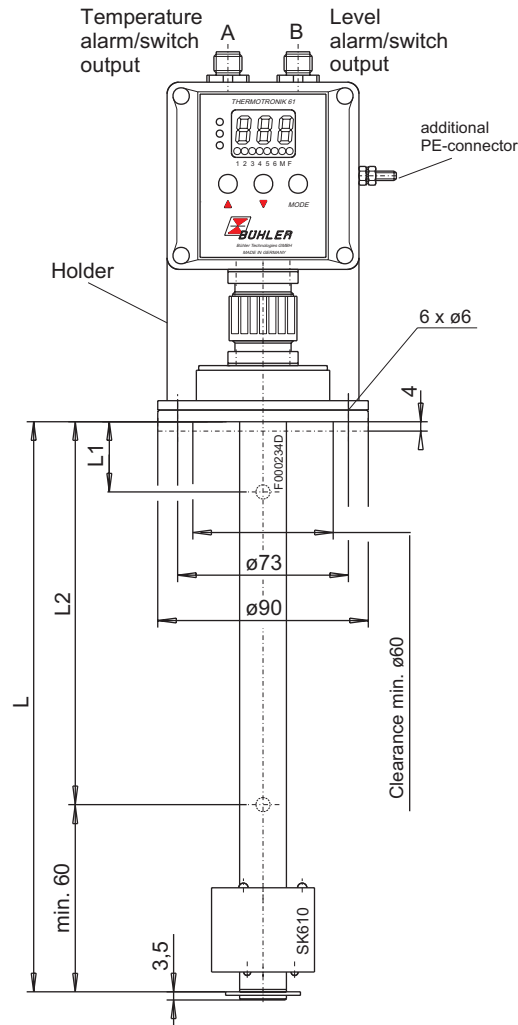
Ambient temperature 0 - 70 °C

Accuracy 1 % of end indication value

Resolution 1 °C / 2 °F

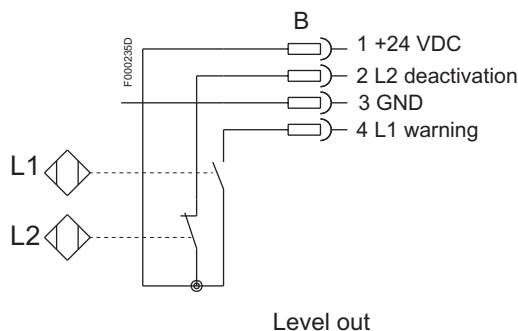
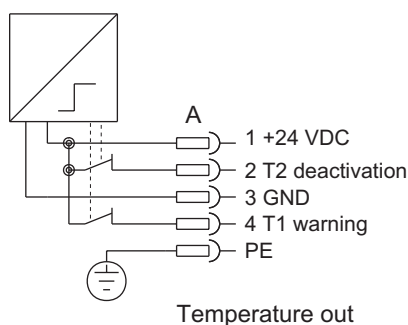
Programming via three touch keys

Dimensions (mm)



Wiring Diagram

normal position = at filled reservoir



Order Information

Nivotemp 62-2-C6F-T-03V001-ej with float SK610

Part No.	Connector socket	Display	L =	L1=	L2=	Temperature-contact T1	Temperature-contact T2
10318999	2xM12	yes	250 mm	100 mm NO*	190 mm NC*	50°C / NC*	60°C / NC*
101289999	2xM12	yes	250 mm	150 mm NO*	190 mm NC*	50°C / NC*	60°C / NC*
10254999	2xM12	yes	370 mm	150 mm NO*	200 mm NC*	50°C / NC*	60°C / NC*
101090999	2xM12	yes	370 mm	200 mm NO*	300 mm NC*	50°C / NC*	60°C / NC*
10255999	2xM12	yes	520 mm	200 mm NO*	300 mm NC*	50°C / NC*	60°C / NC*

* NC=normally closed / NO=normally open

Accessories

Part No.

9144050018

Connecting cable M12x1 with 1 x 5 pole M12 plug cable length: 3.0 m