

# Fluidcontrolterminal GM-GL

- Opel / GM Specification -

## Technical Data

Max. operating pressure 1 bar  
 Max. operating temperature 80 °C  
 Min. density of fluid 0.8 kg/dm<sup>3</sup>

### Material

Float SK 610 hard PU  
 Switch tube brass  
 Stilling tube brass  
 Housing material PA 12  
 Flange galvanised steel  
 Breather retention rate SM-L (3 µm)

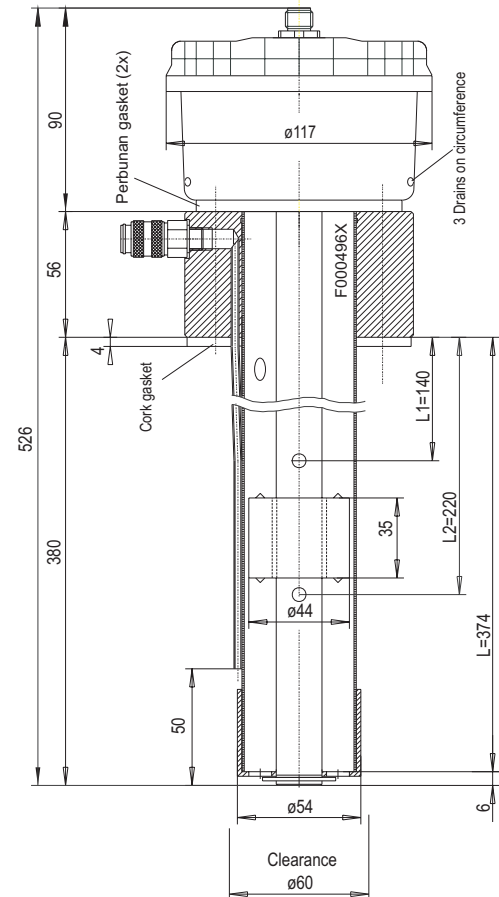
Male plug M12 (4-pol.)  
 Protection class IP 67 with female plug fixed

### Level contacts

Function 2 x K10  
 NO  
 Max. voltage 24 V AC/DC  
 Max. current 0.5 A  
 Max. contact load 10 VA

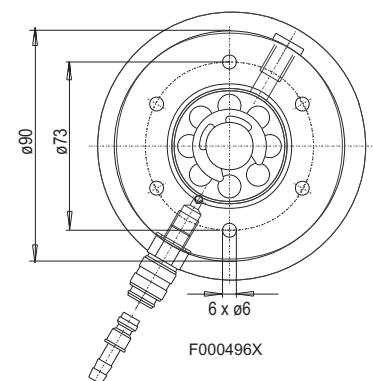
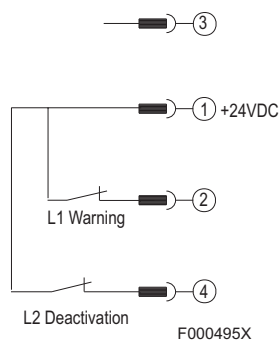
### Scope of delivery

Sample point outlet hose coupling Rico-Mini DN 5  
 Breather filter PI 0125-S:M-L  
 Head screws 6 x M5x80  
 Gaskets GI-cork-gasket  
 2x Perbunan gasket



## Wiring diagram

Normal position = at filled reservoir



we reserved the right to amend specification

## Order Information

Type	Part No.	L	L1	L2
Fluidcontrolterminal GM-GL	10100599	370 mm	140 mm NO*	220mm NO*

NO=normally open

### Accessories

Part No. 9144050018

Connecting cable M12x1 with 1 x 5 pole M12 plug cable length: 3,0 m