

Fluidcontrolterminal GM-D

- Opel / GM Specification -

Technical Data

Operating pressure 1 bar
 Operating temperature max. 80 °C
 Lowest specific gravity min. 0.8 kg/dm³

Material

Float SK 610 hard PU
 Switch tube brass
 Stilling tube brass
 Housing material PA 12
 Flange galvanised steel
 Breather retention rate SM-L (3 µm)

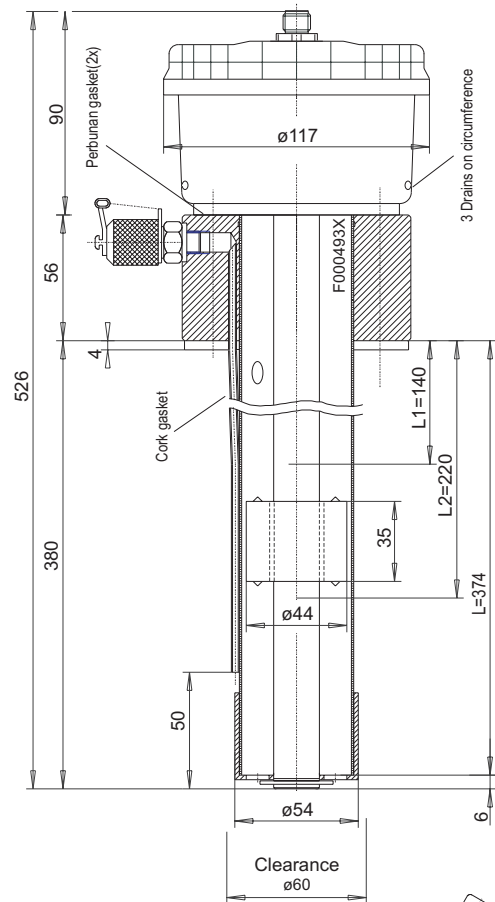
Male plug M12 (4-pol.)
 Protection class IP 67 with female plug fixed

Level contacts

Function 2 x K10
 L1 = NC / L2 = NO
 Max. voltage. 230 V AC/DC
 Max. current 0.5 A
 Max. contact load 10 VA

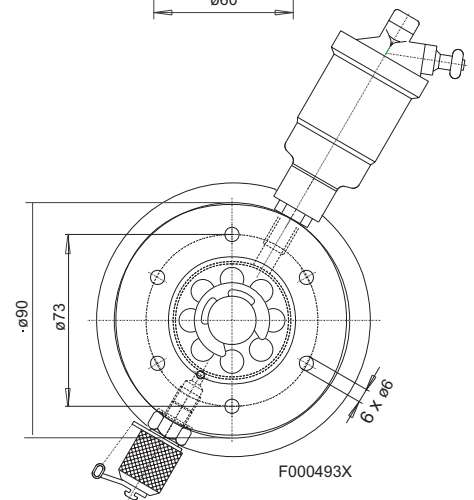
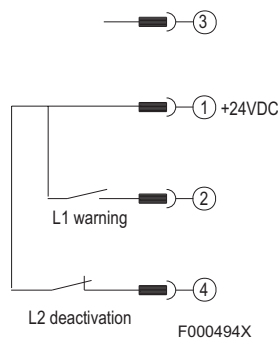
Scope of delivery

Sample point outlet Minimes 1620
 Breather filter PI 0125-SM-L
 Visual filter indicator TB 746/1
 Head screws 6 x M5x80
 Gaskets GI-cork-gasket
 2x Perbunan gasket



Wiring Diagram

Normal position = at filled reservoir



we reserved the right to amend specification

Order Information

Type	Part No.	L	L1	L2
Fluidcontrolterminal GM-D	10105399	370mm	140mm NC	220mm NO

*NC=normally closed / NO=normally open

Accessories

Part No. 9144050018

Connecting cable M12x1 with 1 x 5 pole M12 plug cable length: 3,0 m