

# Nivotemp 64-2ej-3LED-M12

- Daimler specification -



By researching existing standards for fluid power packs including DIN 24346 regarding liquid level control, it was found that measuring to 300 mm depth was sufficient to control the level. Therefore the Bühler standard length of 370mm is sufficient and covers most applications. Flange mounting is almost universal for breather/filler units so it is also suitable for mounting level controls.

The Nivotemp 64-2ej-3LED-M12 in this configuration complies with the Daimler requirements. The LED's into the transparent socket with an M12 connector indicate the working condition for the level.

Please note that our product range contains more Daimler specific versions of the Nivotemp and Nivovent series.

- **Adjustable level contacts**
- **Bistable level contacts = only one float**
- **High float sensitivity**
- **International standard flange dimensions**
- **Easy installation**

## Technical data

Operating pressure max. 1 bar  
 Operating temperature max. 80 °C  
 Spec. gravity of float min. 0.8 kg/dm<sup>3</sup>

### Material:

Float SK 610 hard PU  
 Switch tube brass  
 Flange PA 6

### Level contacts

Function NC / NO\*  
 Min. distance of contact 40 mm  
 Max. voltage 24 V  
 Max. current 0.5 A  
 Max. contact load 10 VA

\* NC = normally closed / NO = normally open

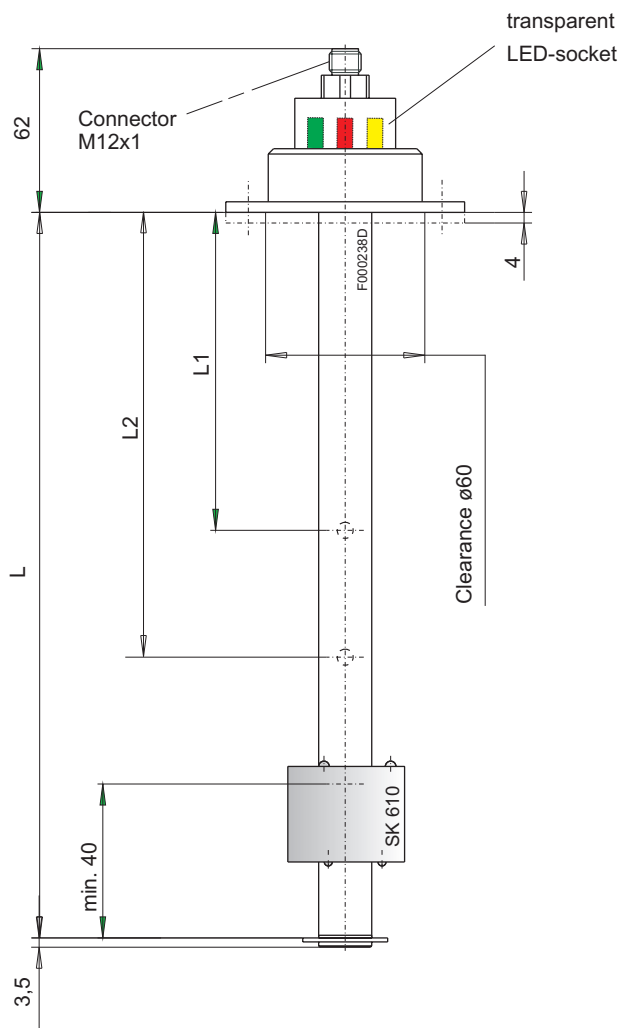
All figures at empty reservoir

### Male plug

Protection class IP67 with female plug fixed

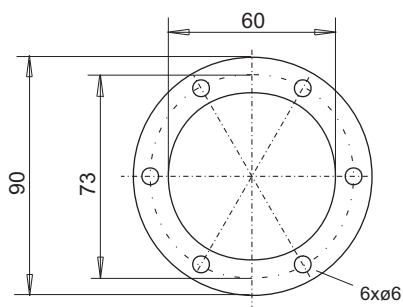
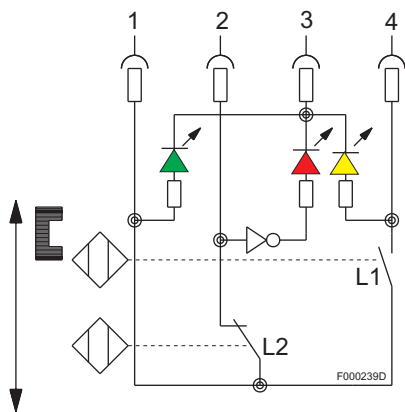
M12 x 1 (4 pol.)

## Dimensions (mm)



## Wiring Diagramm

Normal position = at filled reservoir



## Ordering Information

Type	Part No.	L1	L2	Length L
Nivotemp 64-2ej-3LED-M12	10272999	150 mm NC *	200 mm NO *	370 mm
Nivotemp 64-2ej-3LED-M12	10273999	200 mm NC *	300 mm NO *	520 mm

\* NC = normally closed / NO = normally open

### Accessories

Part No. 9144050018 Connecting cable M12x1 with 1 x 5 pole M12 plug cable length: 3,0 m